



MODEM RACK

TO BE PERFECT IS OUR GOAL

Application scope

- Communication center
- Telecommunication Facility
- Community network
- Broadcasting system
- Monitoring system
- Laboratory equipment
- Computer facility
- Network management and control center
- Quality test system
- Network management system



CABINET NETWORK

The products are applicable to servers of COMPAQ/SUM/IBM/HP/DELL and other companies.

- 1.The products are applicable to all machines or accessories conforming to ANSI/EIA-RS310-C/D standard; we also provide the solutions for special specifications and provide customized solutions for you.
- 2.The overall structure of the products adopts the embedded aluminum extrusion or three-way connection assembly; the appearance of the products has no any screws and the column have special texture; the load capacity of the products is up to 700-1000kg and the structure of the products will never be deformed. The integrated design makes the products be good-looking. The material of the overall structure of the products adopts the aluminum alloy materials conforming to the international regulations, and the material numbers are AL6063-T5 and ADC12, which are slighter, stronger and of better heat dissipation.
- 3.All structures and accessories adopts the electrostatic powder coating, which will never come off or peel off, and can prevent from oxidation, rust, scrape and have acid proof and alkali proof. The above advantages can significantly increase the service life of your cabinets.
- 4.The spring button side door has no any screw; you can assemble or disassemble the product without any tool. Besides, the security lock or ventilation side door is optionally available.
- 5.The sub-active columns of the cabinets adopt the sectional zigzag type equipment fixation columns, which are stronger, of better heat conductivity and applicable to servers of various companies. Besides, each U standard is marked by a symbol and can shrink by 5-50cm by stepless adjustment, which can conform to various function requirements.
- 6.Various kinds of front doors and back doors are available: (a) aluminum material, aluminum frame, aluminum door; (b) aluminum material frame acrylic door; (c) aluminum frame tempered glass door; (d) honeycomb web door. The products can be customized completely according to your requirements for security and heat dissipation.
- 7.The top and bottom covers adopt segmented design, which can adjust the entrance of the wires according to your requirements and can increase the number of the cooling fans at any time (2/4/6/8 fans) to reduce the temperature of the cabinet and make sure the equipment can work normally.
- 8.In order to conform to the design of the machine room, the width of the front side of the cabinet is increased to 600mm/800mm, and the internal of the cabinet remains 19-inch standard for the sake of equipment installation and wiring space.
- 9.The power supply adopts the standard 3-hole 8-socket type power socket, and the voltage can be selected to be 110V or 220V; besides, the power supply provides a power turn-on indicator light, 15A surge-proof protection device. The power wire has 125V-250V voltage endurance and has -20C-75C temperature endurance. We also provide various optional power supplies for you to choose from, such as 1U 3X8 power supply with ampere meter, digital type power supply, 3X10, 3X12, 3X16 vertical type 20A/30A power supply socket.



MDA19" standard type



Size-of-Standard-Model

Conform to ANSI/EIA-RS310-C/D standard

Specification \ Size	W0	W1	W2	H0	H1	D0
MDA90-35U-30	600	483	451	1749	1559	900
MDA90-41U-30	600	483	451	2016	1826	900
MDA100-35U-30	600	483	451	1749	1559	1000
MDA100-41U-30	600	483	451	2016	1826	1000
MDA100-42U-30	600	483	451	2061	1871	1000
MDA110-35U-30	600	483	451	1749	1559	1100
MDA110-41U-30	600	483	451	2016	1826	1100
MDA110-42U-30	600	483	451	2061	1871	1100

1U = 1.75 inch = 44.45mm

Unit = mm

MDA19" widened type



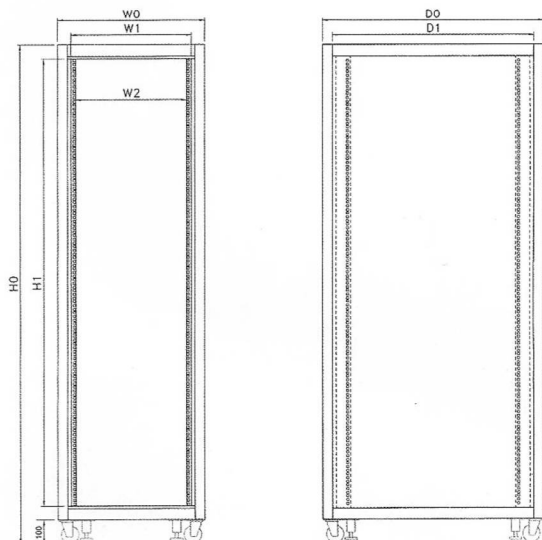
Size-of-Standard-Model

Conform to ANSI/EIA-RS310-C/D standard

Specification \ Size	W0	W1	W2	H0	H1	D0
MDA90-35U-31	800	483	451	1749	1559	900
MDA90-41U-31	800	483	451	2016	1826	900
MDA100-35U-31	800	483	451	1749	1559	1000
MDA100-41U-31	800	483	451	2016	1826	1000
MDA100-42U-31	800	483	451	2061	1871	1000
MDA110-35U-31	800	483	451	1749	1559	1100
MDA110-41U-31	800	483	451	2016	1826	1100
MDA110-42U-31	800	483	451	2061	1871	1100

1U = 1.75 inch = 44.45mm

Unit = mm



Accessories

- 1.3-hole 8-socket type power socket × 1
- 2.Front detachable acrylic door assembly × 1 (with lock)
- 3.Rear detachable aluminum frame door assembly × 1 (with lock)
- 4.Hidden heat dissipation system × 1 (two fans)
- 5.Active wheel & horizontal adjustment foot × 4
- 6.Detachable spring button side board × 2
- 7.Cable-tie or wire-tie ring (optional) × 3
- 8.Screw and pad × 50

Standard color

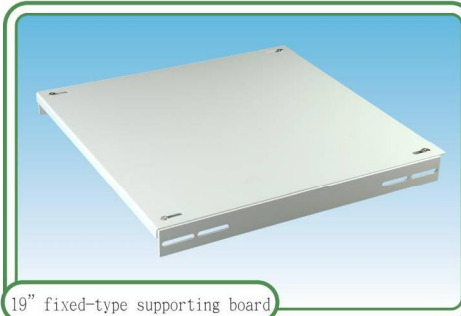
7035

MD white color

9011

MD black color

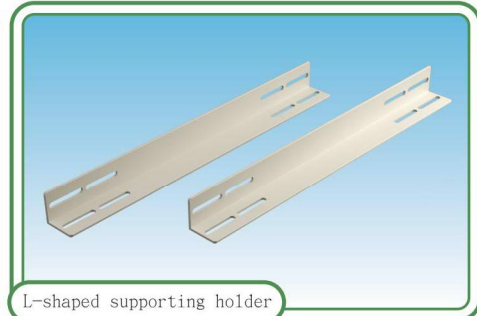
PS: We can provide special customized sizes according to your requirements.



19" fixed-type supporting board



2U fixed-type mounting board



L-shaped supporting holder



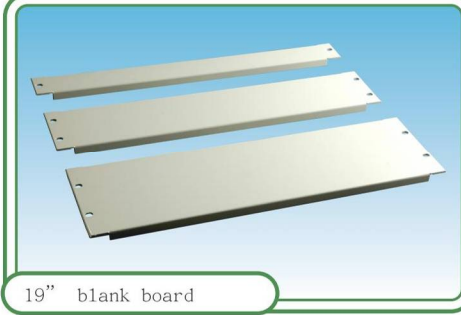
1U active table board
for keyboard



1U load-carrying type working table



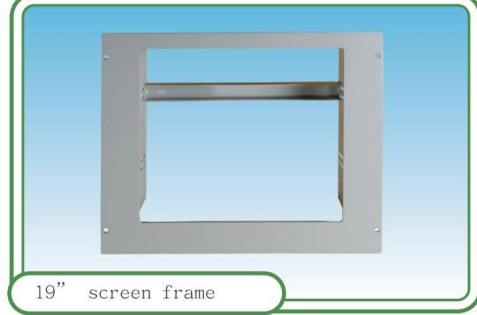
1U active adjustable supporting board



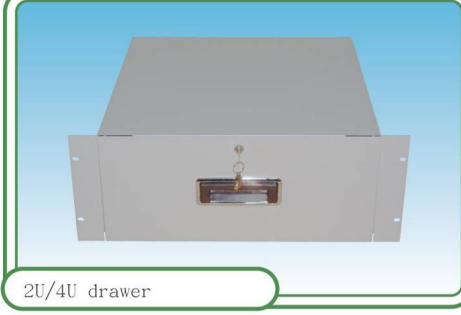
19" blank board



19" ventilation board



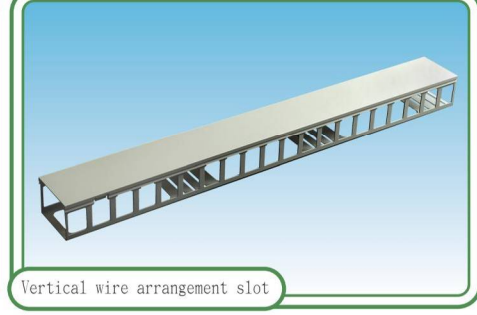
19" screen frame



2U/4U drawer



19" horizontal wire arrangement slot



Vertical wire arrangement slot



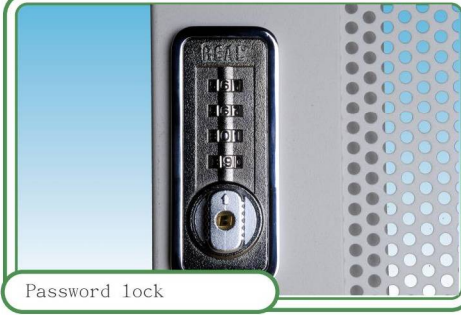
Standard 3X8 power supply



1U anti-shedding power supply socket 15A



1U 3X8 digital power supply socket 15A



Password lock

The cabinet series pass the UL, CE, MIL-STD-167 vibration test

The color of the real products may be different from that of the products in the catalog/ the specifications of the products may be changed without prior notice.

Retailer:

